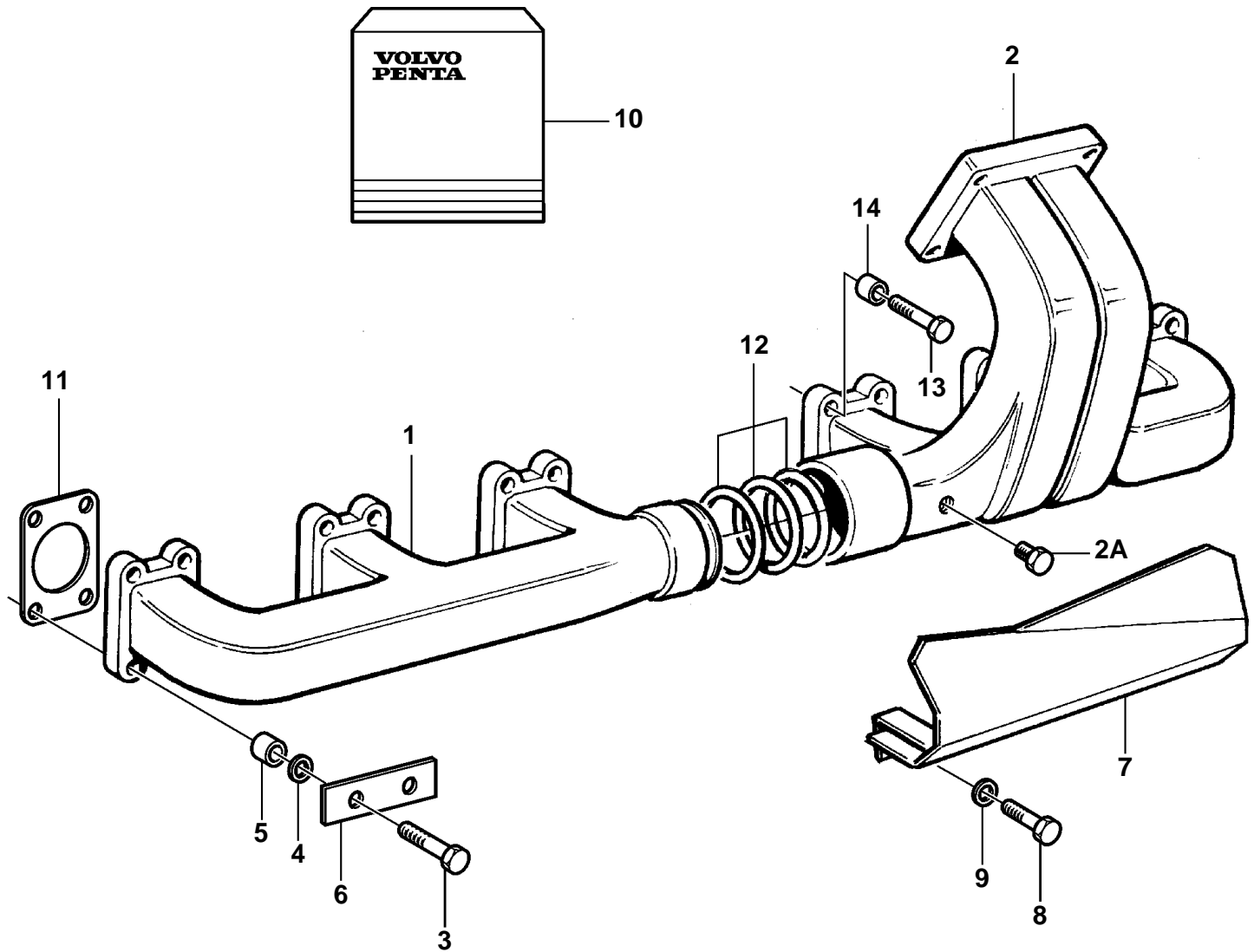


TD100G-87, TD1030VE



21167

TD100G-87, TD1030VE

REF	PART NO.	QTY	DESCRIPTION	NOTES
1	8194525	1	Exhaust pipe	(8194048)
2	8194524	1	Manifold	STD (469527)
	8194521	1	Manifold	For turbo mounted low.
2A	952075	1	Plug	FOR 479277
3	945698	12	Screw	
4	941744	12	Washer	
5	422217	12	Spacer sleeve	
6	966717	12	Lock washer	
7		1	Heat shield	ALT
8	950046	2	Screw	ALT
9	941906	2	Spring washer	ALT
10	876722	1	Gasket kit, exhaust manifold	SEE GROUP 99
11	479107	6	· Gasket	
12	471219	1	· Gasket	
	1545109	2	· Sealing ring	
13	8194513	12	Flange screw	For 8194521
14	8194514	12	Spacer sleeve	For 8194521